

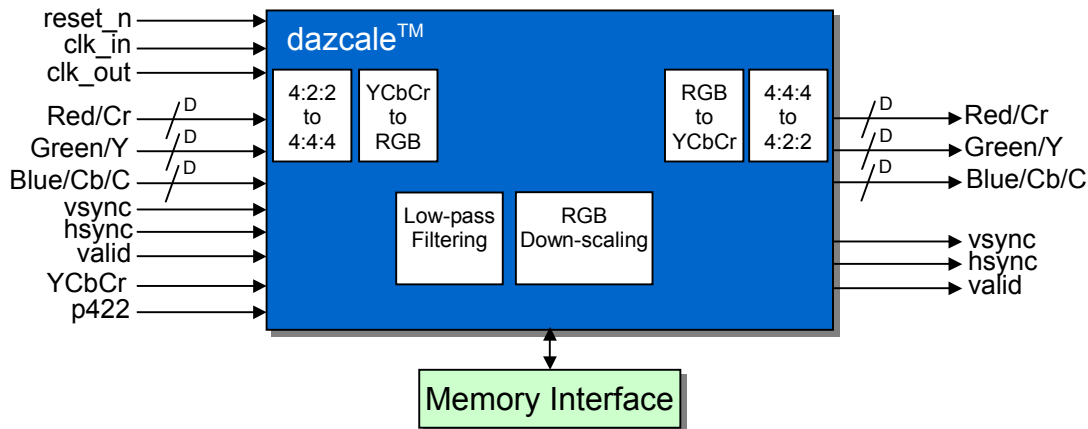


High-Performance 2D Down Scaler: dazcale™

This Core Values™ product down-scales progressive images or fields of interlaced images. The core is provided as a service and customized for your specific application. No logic is wasted on resolutions that are not needed. For example you can start with an HD 1080i input (1920x1080i) and down-scale to an NTSC output (720x480i with black/gray bars) or start with an SXGA (1280x1024) input and output SVGA (800x600).

FEATURES

- Down-scales directly RGB images of any bit depth
- Interfaces to 4:4:4/4:2:2 YCbCr data of any bit depth
- Customized to any desired input/output size
- Syncs with YCbCr embedded syncs or external syncs
- Outputs YCbCr embedded syncs or external syncs
- Converts between square and rectangular pixels
- Customer specifies size/quality constraints
- Can provide anamorphic outputs
- Logic optimized for your scale factor
- Sample output images available for evaluation
- Linted and Verified Verilog 2001 Source Code
- Permanent Company License (not per-project)
- ASICs and Actel, Altera, Lattice and Xilinx FPGAs

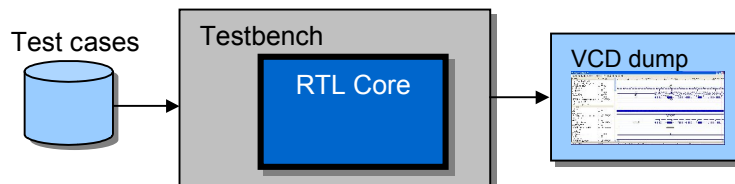


EXTERNAL REQUIREMENTS

- Reset, Input Clock and Output Clock
- Memory Interface (core is customized to interface)

DELIVERABLES

- Synthesizable Verilog 2001 RTL Source Code
- Fast Verilog 2001 Testbench and Test cases
- VCD Functional Dump
- User Manual



APPLICATIONS

- PC Video/Graphics
- Consumer Electronics Video/Graphics
- Professional Video/Graphics
- Cell phone Video/Graphics

VIDEO-CORES.COM, 1177 BRANHAM LANE # 254, SAN JOSE, CA 95118, U.S.A. +1 650 283 3232
sales@video-cores.com

video-cores is a division of PugMedia, Inc.



video-cores

VIDEO-CORES.COM, 1177 BRANHAM LANE # 254, SAN JOSE, CA 95118, U.S.A. +1 650 283 3232

sales@video-cores.com

video-cores is a division of PugMedia, Inc.

www.video-cores.com