

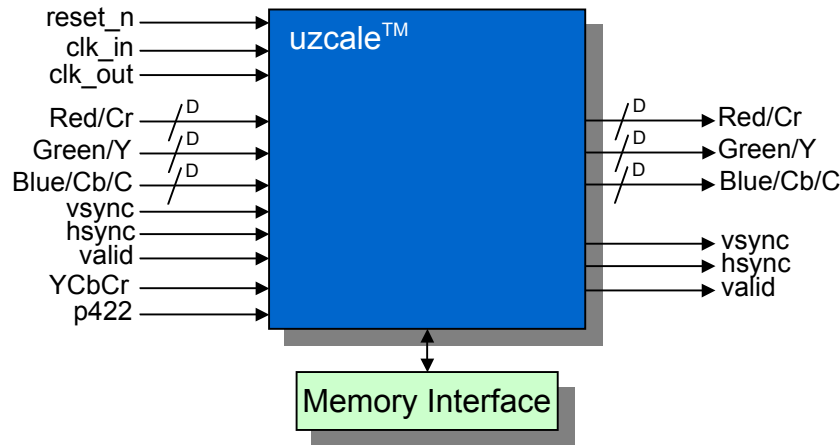


High-Quality Up Scaler: uzcale™

This Core Values™ product up-scales progressive images without adding edge artifacts. The core is customized for your specific application and no logic is wasted on resolutions that are not needed. For example you can start with a VGA (640x480) input and up-scale to an XGA output (1024x768) or start with an EDTV 480p anamorphic input (720x480) with rectangular pixels and output HD 720p (1280x720) or 1080p (1920x1080) with square pixels.

FEATURES

- Up-scales directly RGB images of any bit depth
- Interfaces to 4:4:4/4:2:2 YCbCr data of any bit depth
- Customized to any desired input/output size
- Syncs with YCbCr embedded syncs or external syncs
- Outputs YCbCr embedded syncs or external syncs
- Logic optimized for your scale factor
- Sample output images available for evaluation
- Linted and Verified Verilog 2001 Source Code
- Permanent Company License (not per-project)
- ASICs and Actel, Altera, Lattice and Xilinx FPGAs

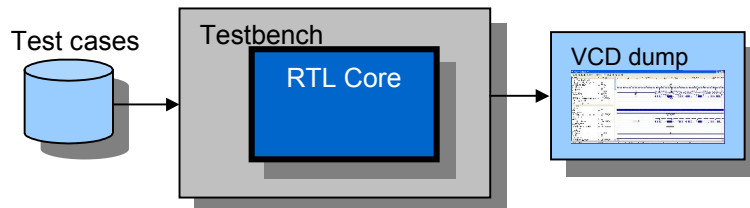


EXTERNAL REQUIREMENTS

- Reset, Input Clock and Output Clock
- Memory Interface (core is customized to interface)

DELIVERABLES

- Synthesizable Verilog 2001 RTL Source Code
- VCD Functional Dump
- Fast Verilog 2001 Testbench and Test cases
- User Manual



APPLICATIONS

- PC Video/Graphics
- Professional Video/Graphics
- Consumer Electronics Video/Graphics
- Cell phone Video/Graphics

VIDEO-CORES.COM, 1177 BRANHAM LANE # 254, SAN JOSE, CA 95118, U.S.A. +1 650 283 3232

sales@video-cores.com

video-cores is a division of PugMedia, Inc.

www.video-cores.com



video-cores

VIDEO-CORES.COM, 1177 BRANHAM LANE # 254, SAN JOSE, CA 95118, U.S.A. +1 650 283 3232

sales@video-cores.com

video-cores is a division of PugMedia, Inc.

www.video-cores.com