

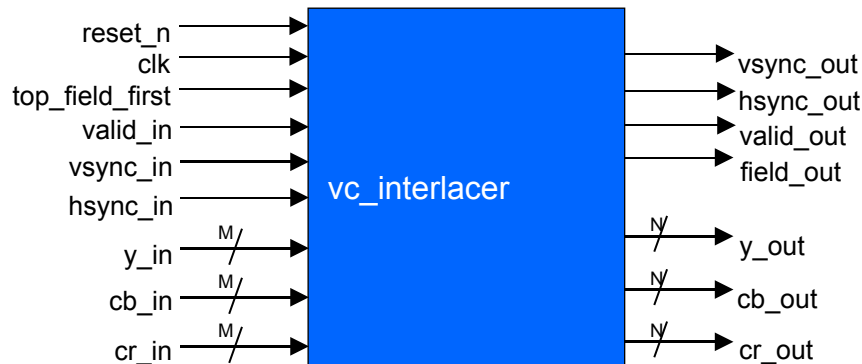


vc_interlacer

This Core Values® Interlacer takes progressive video as an input and separates the odd and even lines on a per-field basis outputting an interlaced video as two fields.

FEATURES

- Parametrizable I/O to any M/N bit width
- Interlaces progressive video
- Selectable top_field_first
- Lited Verilog 2001 Source Code
- Permanent Company License (not per-project)
- ASICs and Altera, Lattice and Xilinx FPGAs

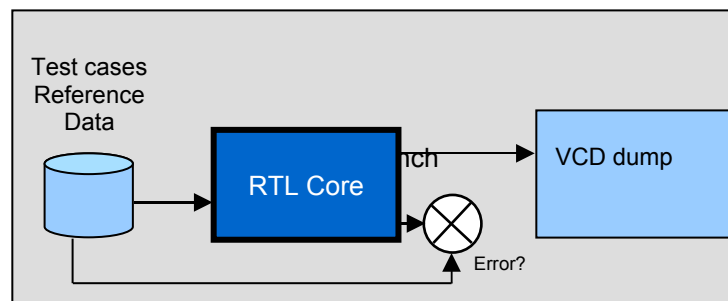


EXTERNAL REQUIREMENTS

- video clock and active-low reset
-

DELIVERABLES

- Synthesizable Verilog 2001 RTL Source Code
- Verilog 2001 Self-checking Testbench and Tests
- VCD Functional Dump
- User Manual



APPLICATIONS

- Professional Cameras with video output
- Consumer Cameras with video output
- Professional Format Converters
- Consumer Format Converters