

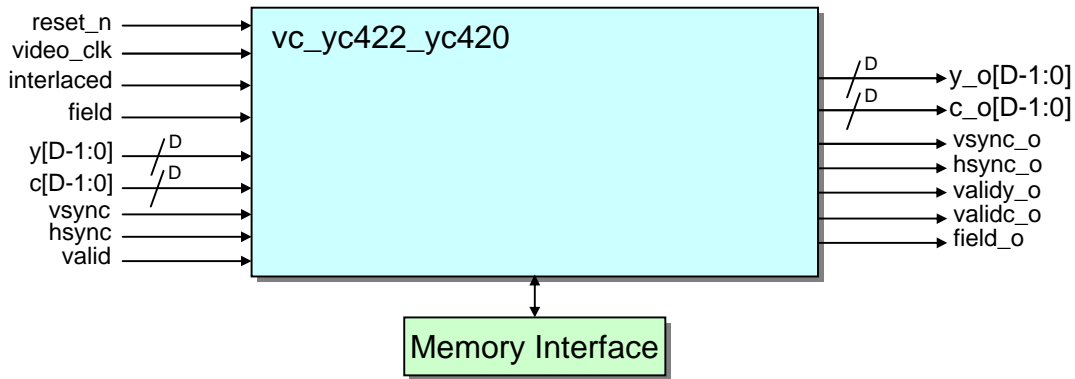


### 4:2:2 to 4:2:0 Converter: vc\_yc422\_yc420

This Core Values™ parametrizable product converts 4:2:2 video with external syncs to 4:2:0 video with external syncs using an external memory.

#### FEATURES

- Accepts 4:2:2 video of any resolution
- Outputs 4:2:0 video at the input resolution
- Interfaces directly to external syncs
- Accepts Progressive or Interlaced Video
- Parametrizable input/output bit width
- Customized memory interface to video resolution
- Sample output images and video available
- Linted and Verified Verilog 2001 Source Code
- Permanent Company License (not per-project)
- ASICs and Actel, Altera, Lattice and Xilinx FPGAs

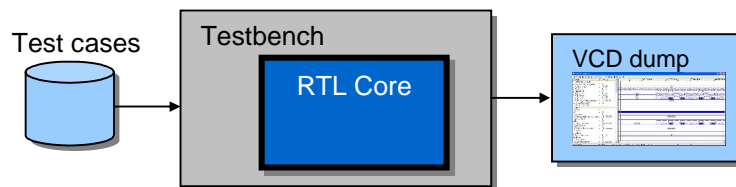


#### EXTERNAL REQUIREMENTS

- Reset, Input Video Clock
- Memory Interface (core is customized to interface)

#### DELIVERABLES

- Synthesizable Verilog 2001 RTL Source Code
- VCD Functional Dump
- Fast Verilog 2001 Testbench and Test cases
- User Manual



#### APPLICATIONS

- Broadcast Video
- Consumer Electronics Video
- Professional Video
- Portable Camera and Cell phone Video